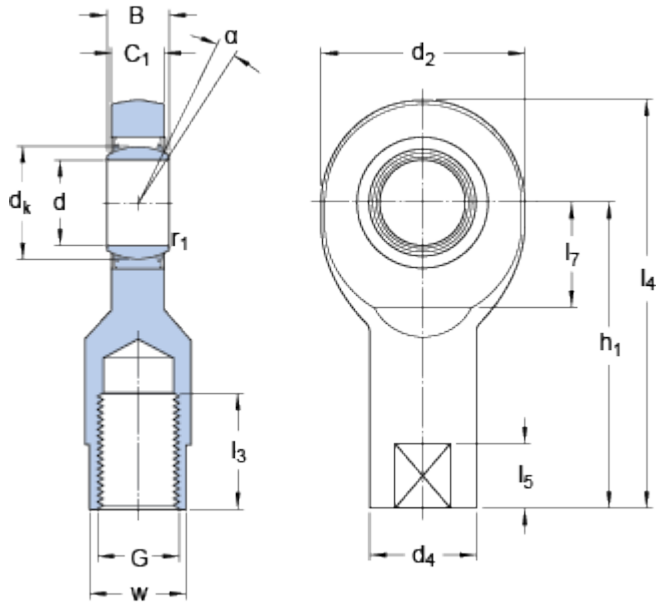


# SI 40 TXE-2LS

## Dimensions



d		40	mm
d <sub>2</sub>	max.	94	mm
B		28	mm
G	6H	M 42x3	
C <sub>1</sub>	max.	24	mm
h <sub>1</sub>		145	mm
α		6	°
d <sub>k</sub>		53	mm
d <sub>4</sub>	≈	58	mm
l <sub>3</sub>	min.	65	mm
l <sub>4</sub>	max.	194	mm
l <sub>5</sub>	≈	25	mm
l <sub>7</sub>	min.	50	mm
w	h14	50	mm
r <sub>1</sub>	min.	0.6	mm

## Calculation data

Basic dynamic load rating	C	280	kN
Basic static load rating	C <sub>0</sub>	166	kN
Specific dynamic load factor	K	300	N/mm <sup>2</sup>

## Mass

Mass rod end	2.3	kg
--------------	-----	----